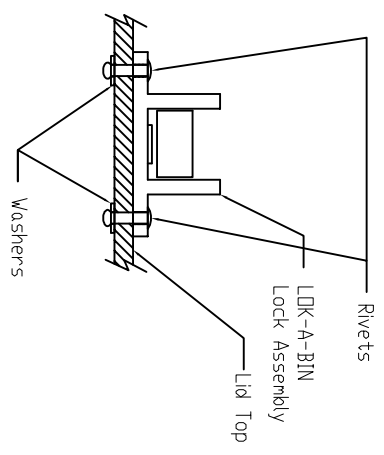
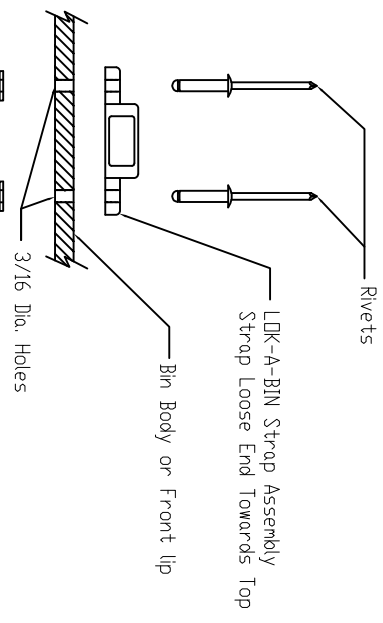
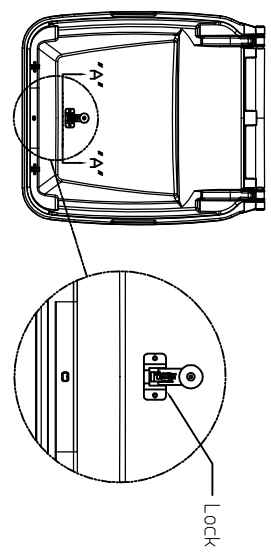


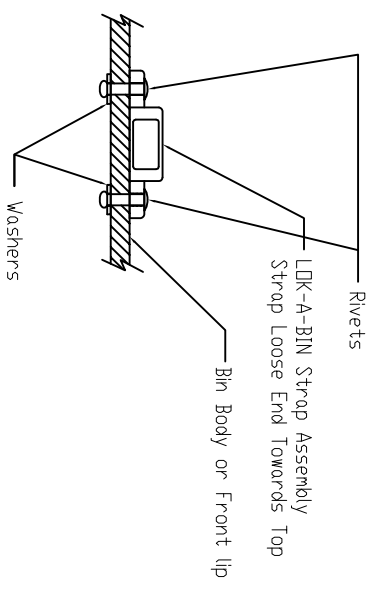
SECTION "A-A"



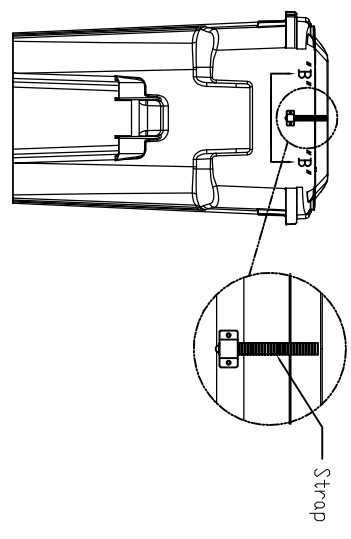
SECTION "A-A"



SECTION "B-B"



SECTION "B-B"



PROPRIETARY AND CONFIDENTIAL
 THE INFORMATION CONTAINED IN THIS DRAWING IS THE SOLE PROPERTY OF BJI LLC. NO PART OF THIS DRAWING IS TO BE REPRODUCED OR TRANSMITTED IN ANY FORM OR BY ANY MEANS, ELECTRONIC OR MECHANICAL, INCLUDING PHOTOCOPYING, RECORDING, OR BY ANY INFORMATION STORAGE AND RETRIEVAL SYSTEM, WITHOUT THE WRITTEN PERMISSION OF BJI LLC IS PROHIBITED.

UNLESS OTHERWISE SPECIFIED	
DIMENSIONS ARE IN INCHES	
FRACTIONS: +	
DECIMALS: + .0000	
TWO PLACE DECIMAL: + .00	
THREE PLACE DECIMAL: + .000	
INTERPRET GEOMETRIC TOLERANCES AND FINISH	
FINISH: DO NOT SCALE DRAWING	

DATE	NAME	DRAWN
06-30-19 <td>V.S. <td> </td></td>	V.S. <td> </td>	
DATE	NAME	CHECKED
06-30-19 <td>G.K. <td></td> </td>	G.K. <td></td>	
		ENG APPR.
		MFG APPR.
		QA

TITLE:		SIZE DWG. NO.	
BJI LLC		B	
INSTALLATION DIAGRAM		INSTALLATION DIAGRAM MODEL 400A	
MODEL 400A		SCALE: 1:1	
SHEET 1 OF 1		WEIGHT:	
REV	NC		

