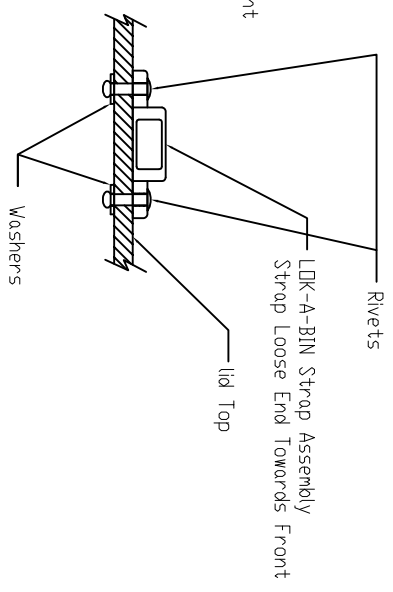
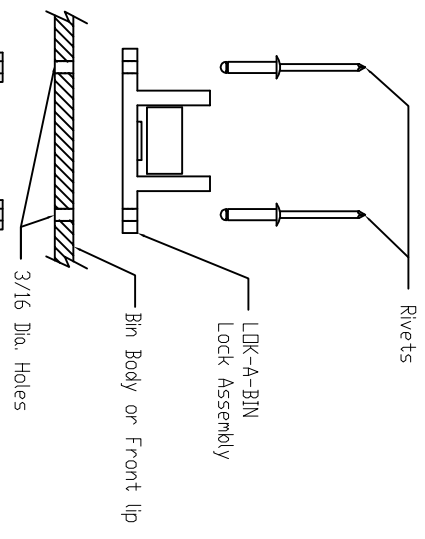


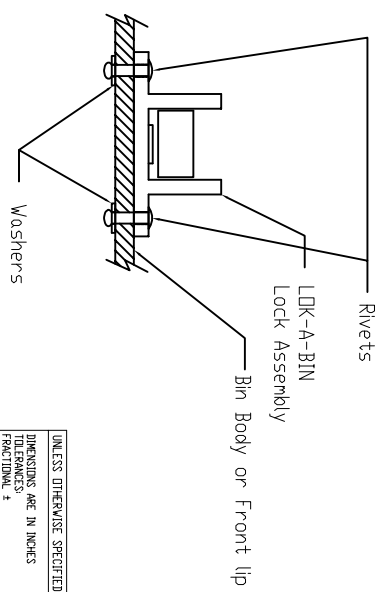
SECTION "A-A"



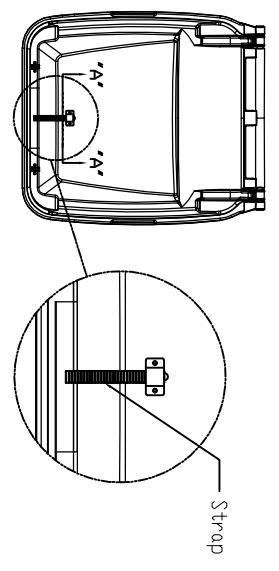
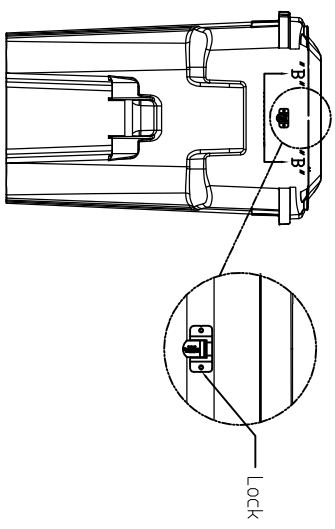
SECTION "A-A"



SECTION "B-B"



SECTION "B-B"



PROPRIETARY AND CONFIDENTIAL
 THE INFORMATION CONTAINED IN THIS DRAWING IS UNCLASSIFIED IN PART OR AS A WHOLE WITHOUT THE WRITTEN PERMISSION OF BJI LLC IS PROHIBITED

UNLESS OTHERWISE SPECIFIED
 DIMENSIONS ARE IN INCHES
 TOLERANCES:
 FRACTIONAL ± .005
 DECIMAL ± .005
 TWO PLACE DECIMAL ± .005
 THREE PLACE DECIMAL ± .001
 INTERPRET GEOMETRIC TOLERANCES AND FINISH PER ASME Y14.5-2018
 FINISH: DO NOT SCALE DRAWING

DATE	NAME	DRAWN
06-30-19	V.S.	
06-30-19	GK	CHECKED
		ENG APPR
		MFG APPR
		QA

TITLE: BJI LLC	
INSTALLATION DIAGRAM MODEL 500 BODY MOUNT	
SIZE DWG. NO. B	REV NC
SCALE: 1:1	WEIGHT:
SHEET 1 OF 1	

