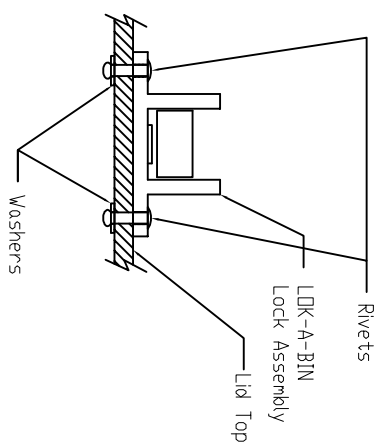
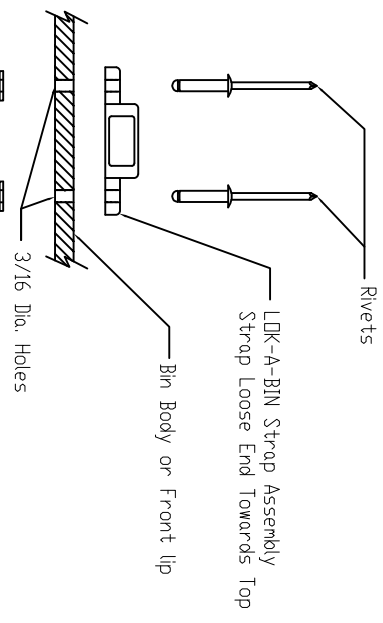
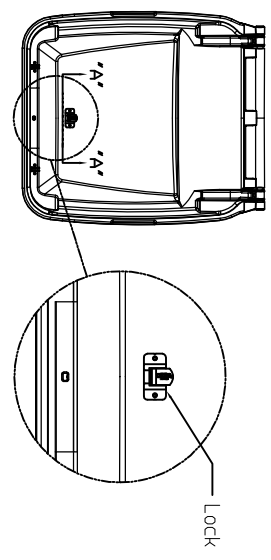


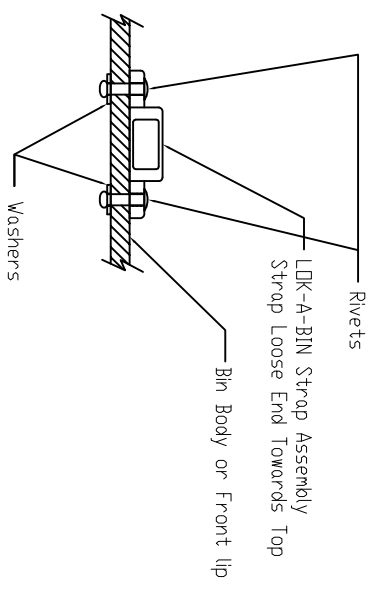
SECTION "A-A"



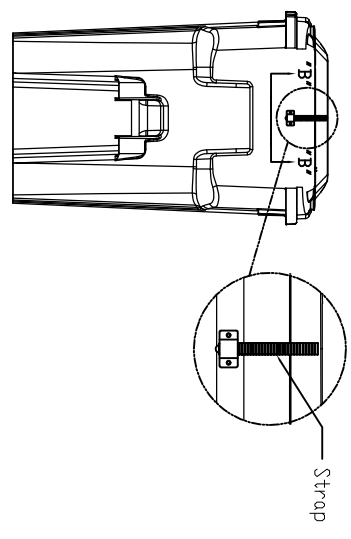
SECTION "A-A"



SECTION "B-B"



SECTION "B-B"



PROPRIETARY AND CONFIDENTIAL
 THE INFORMATION CONTAINED IN THIS DRAWING IS THE SOLE PROPERTY OF BJI LLC. NO PART OF THIS DRAWING MAY BE REPRODUCED OR TRANSMITTED IN ANY FORM OR BY ANY MEANS, ELECTRONIC OR MECHANICAL, INCLUDING PHOTOCOPYING, RECORDING, OR BY ANY INFORMATION STORAGE AND RETRIEVAL SYSTEM, WITHOUT THE WRITTEN PERMISSION OF BJI LLC IS PROHIBITED.

UNLESS OTHERWISE SPECIFIED	
DIMENSIONS ARE IN INCHES	
FRACTIONS: +	
DECIMALS: +	
TWO PLACE DECIMAL: +	
THREE PLACE DECIMAL: +	
INTERPRET GEOMETRIC TOLERANCES AND FINISH	
MATERIAL	
FINISH	
DO NOT SCALE DRAWING	

DATE	NAME	DRAWN
06-30-19	V.S.	
06-30-19	GK	
	ENG APPR	
	MFG APPR	
	QA	

TITLE:		BIJ LLC	
INSTALLATION DIAGRAM		MODEL 500 LID MOUNT	
SIZE DWG. NO.	REV	SCALE: 1:1	WEIGHT:
B	NC		
SHEET 1 OF 1			

